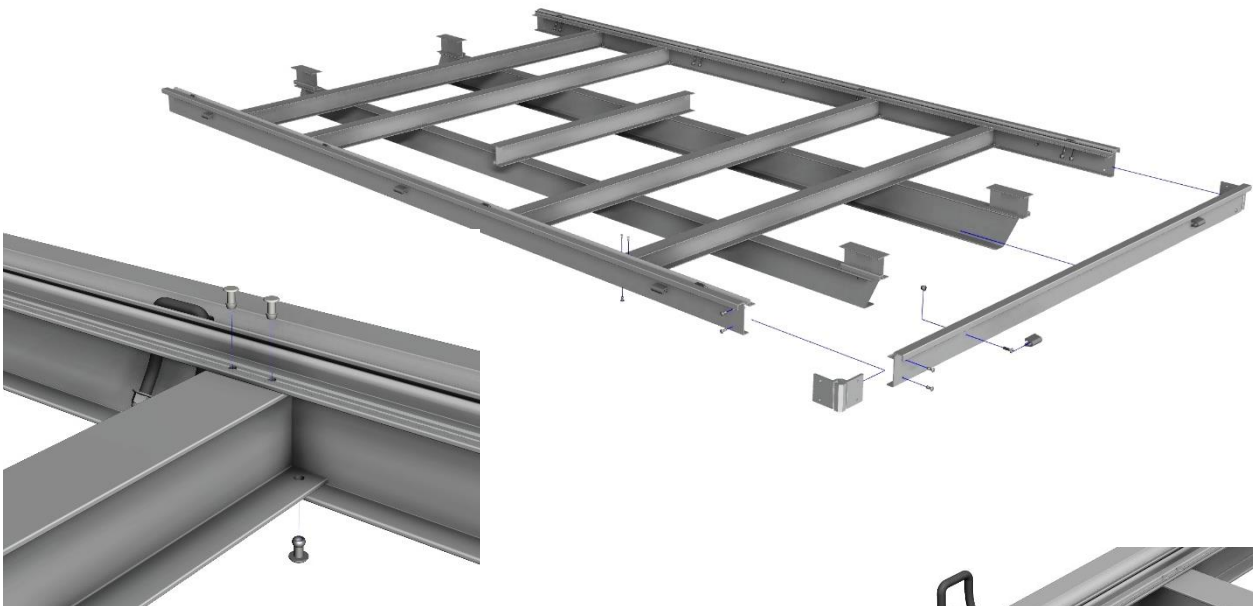
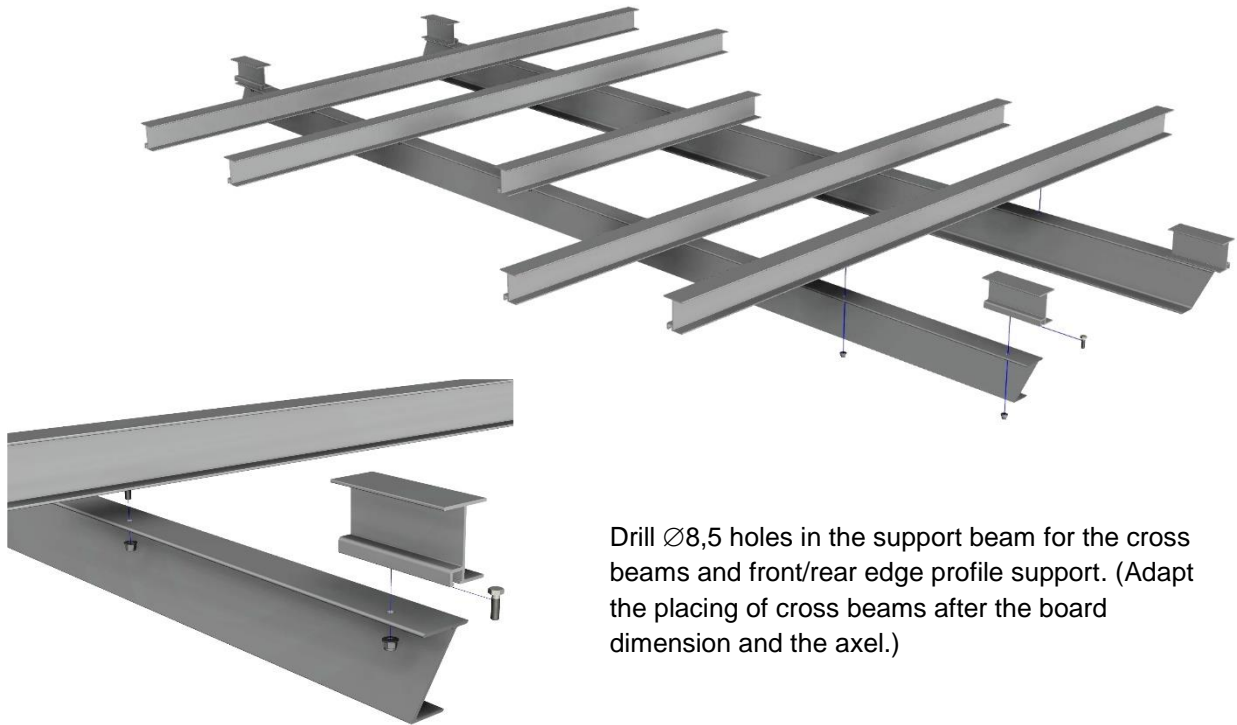


sapa:

Assembly Instructions

MF4010 - Truck body kit

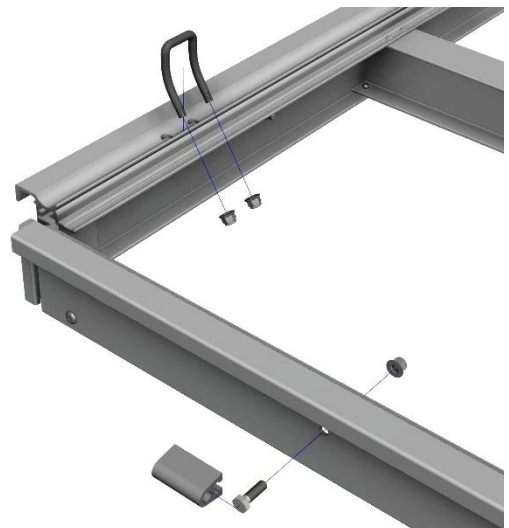


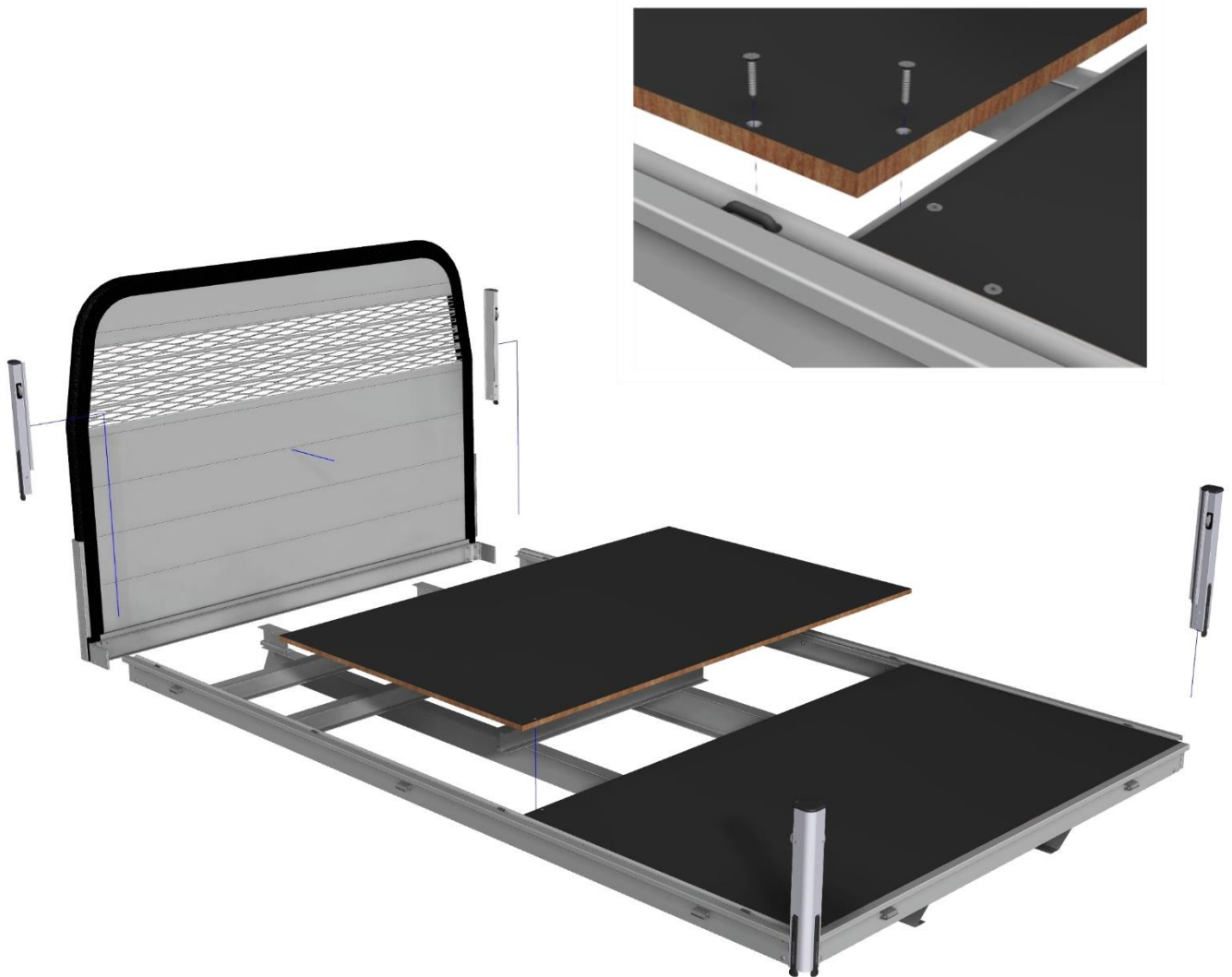


Put the edge profiles in place and rivet the rear corner joint. Drill and rivet the edge profiles to the cross beams and the edge profile supports. Two rivets (40213-00) from the top and one rivet (40504-00) from the bottom.

Mark the locations on the edge profiles where the lashings should be. Drill two pieces of $\varnothing 12$ holes with a center distance of 41mm.

Mount the hinge collet in the intended hole in the edge profile.





Mount the front wall and rivet the preassembled corner joints to the side edge profiles.

Drill and rivet the edge profile support to the front of the edge profile in the same way as towards the rear edge profile.

Mount the plywood boards, start mounting from the back. Screw it in place with the attached screw (40162-00).



Mount the hinges on the side- and rear drop sides with the attached screw.

Drill \varnothing 8,5 holes for the chassis brackets and mount these with the attached screw, washer and nut.



sapa:



Done!

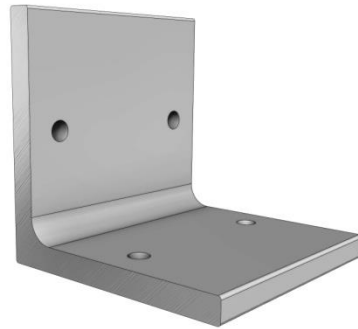
Accessories

- 2 pcs Edge profile support



50468-00

- 2 pcs Rear corner joint



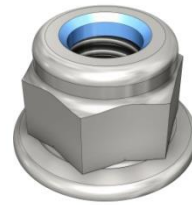
50453-00

- Lashing



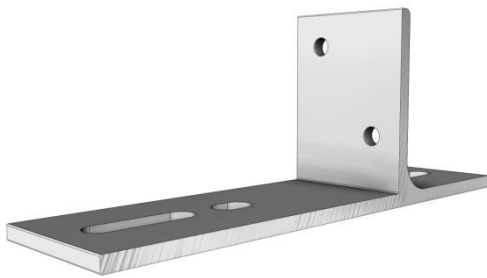
50427-00

- Nut M8



50428-00

- Chassis bracket universal



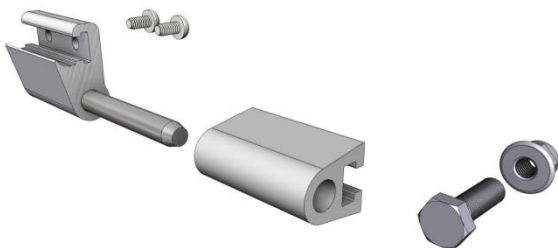
50493-00

- Chassis bracket



50503-00

- Hinge



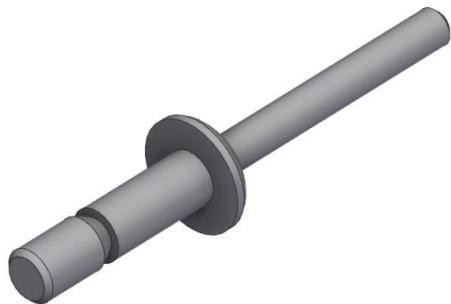
50460KH/LH-00

- Rivet stainless SSBS 4,8x14,4



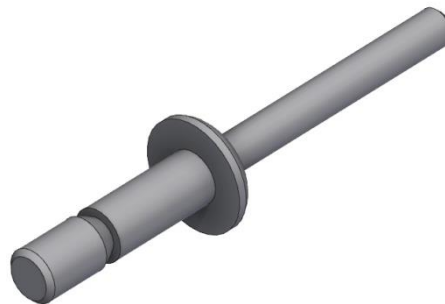
40213-00

- Rivet Magna-Lok 6,5x2-9,5 MGLP U8-6



40504-00

- Rivet Ultra-Grip 6,4x 2,0-16,0



40507-00

- Washer BRB, 8,4x16x1,6



40142-00

- Screw M6S M8x25



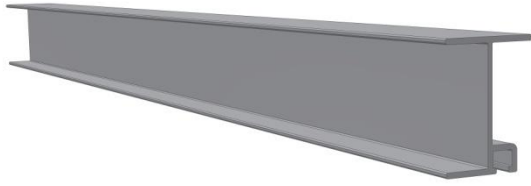
40156-00

- Screw JT3-FR-&-5,5x25 E12



40123-00

- Cross beam



- Support beam



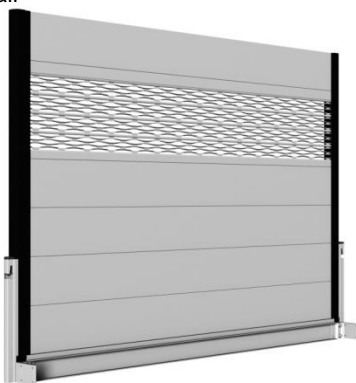
- Edge profile, side



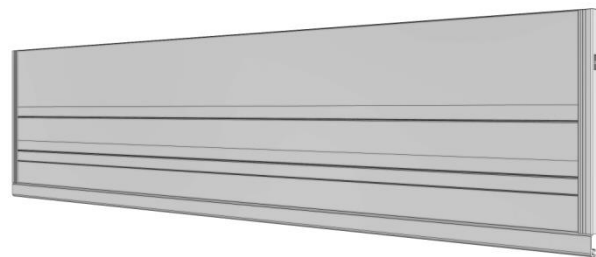
- Edge profile, rear



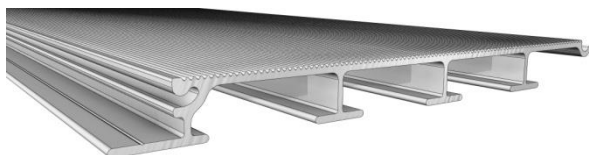
- Front wall



- Drop side



- Aluminium floor



- Side pillar Armaton 4000XF



- Rear pillar Armaton 4000XF



- Front pillar Armaton 4000XF

